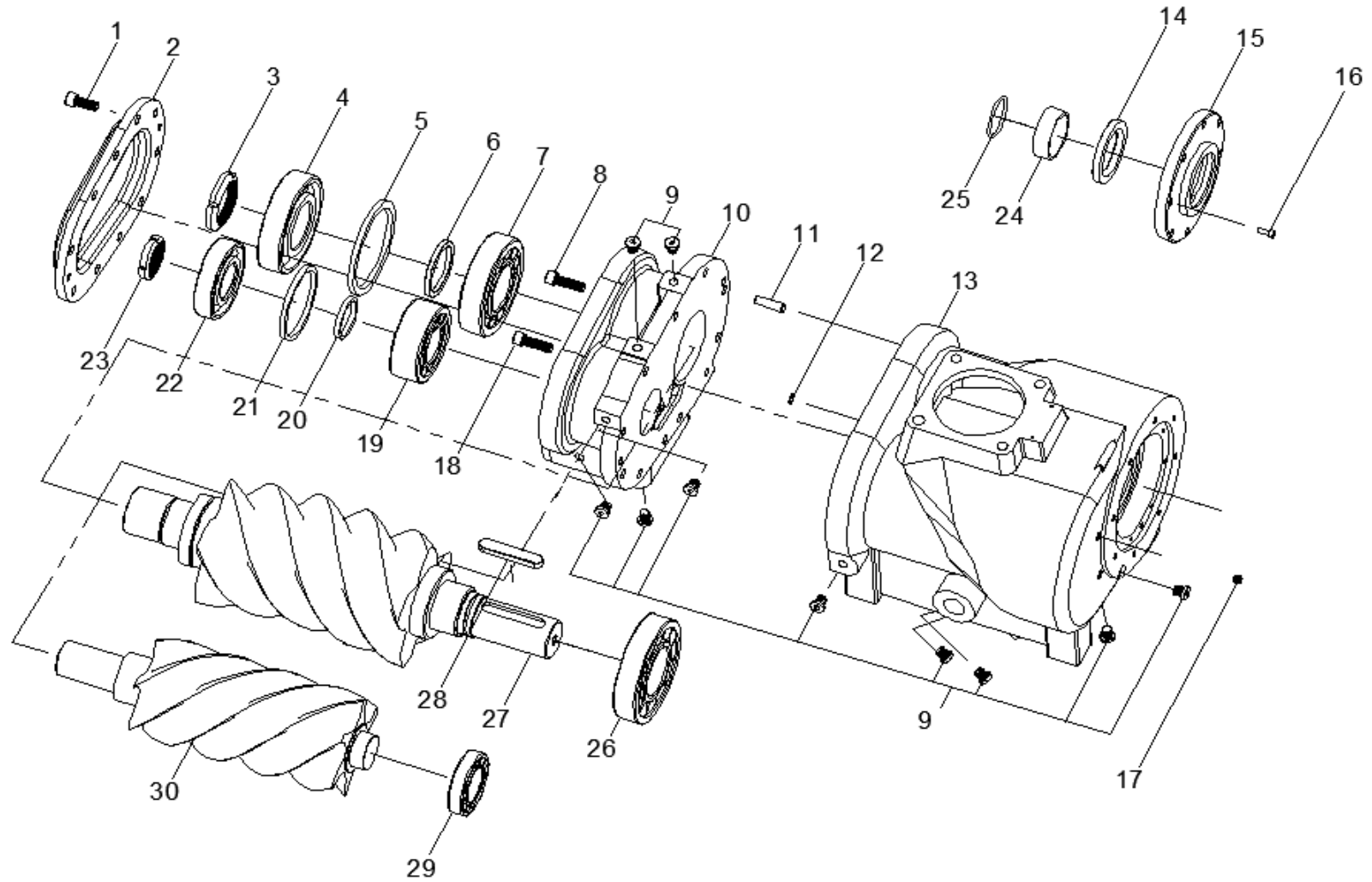


AB-780R Construction BOM



AB-780R Construction BOM

Item	Number	Description	Quantity	Item	Number	Description	Quantity
1	4301-120030-C	Bolt	10	16	4301-106016-C	Bolt	8
2	35338-1101A	Discharge Cover Plate	1	17	4305-107	Plug	2
3	4302-265	KM Nut	1	18	4301-112055-C	Bolt	1
4	4101-7313BUO	Bearing	1	19	4102-NU2310E	Bearing	1
5	3504-113DA	Spacer Ring	1	20	35304-1137AB	Spacer Ring	1
6	35304-1134AB	Spacer Ring	1	21	3504-113AA	Spacer Ring	1
7	4102-NU313E	Bearing	1	22	4101-7310BUO	Bearing	1
8	4301-112040-C	Bolt	9	23	4302-250	KM Nut	1
9	4305-924	Plug	10	24	35337-1167AA	Bush	1
10	35338-1131AA	Bearing Seat	1	25	4201-VG055	O-Ring	1
11	35304-1102AB	Parallel Pin	2	26	4102-NJ314E	Bearing	1
12	4201-VP012	O-Ring	1	27	35338-1132BA	Male Rotor	1
13	35338-1141AA	Housing	1	28	3504-1164A	Parallel Key	1
14	4203-068090R	Shaft Seal	1	29	4102-NJ210E	Bearing	1
15	35338-1161AB	Seal Cover	1	30	35338-1133AA	Female Rotor	1